



ITT



Hoogeindsestraat 5
NL - 5447 PD Rijkevoort
Nederland
T : +31 (0) 485 - 371318
F : +31 (0) 485 - 371918
info@pompechniek.nl
www.pompechniek.nl

Lowara

General Catalogue

DL Series

*Submersible pumps for solid-laden wastewater.
Made in cast iron and stainless steel, with mechanical seal and
versions with single-channel impeller and Vortex impeller.*

SPECIFICATIONS

Delivery: up to 42 m³/h

Head: up to 21 m

Power supply: three-phase and
single-phase 50 and 60 Hz

Power: 0.6 kW to 1.5 kW

Maximum immersion depth: 5 m

Temperature of pumped liquid:
0°C to +50°C (with pump totally
immersed)

0°C to +25°C (with pump partially
immersed)

Liquids with suspended solids:
up to 45 mm (DL80-90-105 Minivortex-
Vortex)

up to 50 mm (DL109-125, DLV100-115)

Protection: IP68

Length of cable: 5 m

MATERIALS

Pump body: Cast iron

**Suction flange, feet, shaft
extension, motor casing,**

impeller: Stainless steel

Elastomers: NBR

Mechanical seal: Carbon/Ceramic/NBR

Discharge elbow: Cast iron

APPLICATIONS

- Pumping of sewage with suspended solids and filaments
- Draining of septic tanks, sumps and wastewater discharge tanks
- Emptying of drains and tanks in industrial and ecological applications
- Emptying of tanks or reservoirs
- Emergency draining in flooded areas

3



For a complete list of technical information, consult www.lowara.com

Engineered for life



ITT

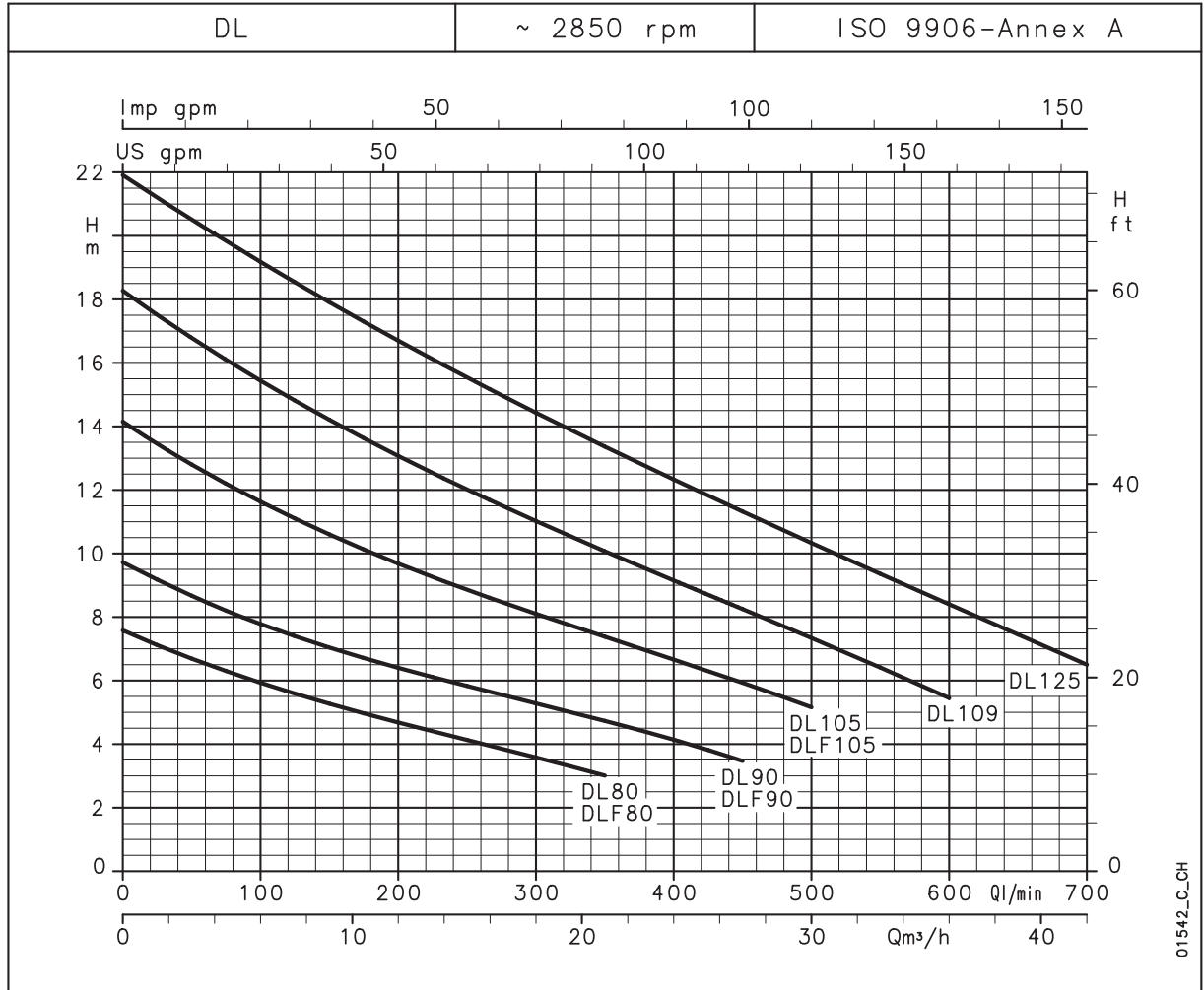


Hoogeindsestraat 5
 NL - 5447 PD Rijkevoort
 Nederland
 T : +31 (0) 485 - 371318
 F : +31 (0) 485 - 371918
 info@pompestechniek.nl
 www.pompestechniek.nl

Lowara

General Catalogue

DL SERIES OPERATING CHARACTERISTICS AT 50 Hz, 2 POLES



Engineered for life



ITT



Hoogeindsestraat 5
 NL - 5447 PD Rijkevoort
 Nederland
 T : +31 (0) 485 - 371318
 F : +31 (0) 485 - 371918
 info@pompentechiek.nl
 www.pompentechiek.nl

Lowara

General Catalogue

**DL SERIES
 HYDRAULIC PERFORMANCE TABLE**

PUMP TYPE	RATED POWER		Q = DELIVERY												
			Vmin	0	100	150	200	250	300	350	400	450	500	600	700
			m ³ /h	0	6	9	12	15	18	21	24	27	30	36	42
	kW	HP	H = TOTAL HEAD METRES COLUMN OF WATER												
DL(M) 80-DLF(M) 80	0,6	0,8	7,6	5,9	5,3	4,7	4,1	3,6	3,0						
DL(M) 90-DLF(M) 90	0,6	0,8	9,7	7,8	7,0	6,4	5,8	5,3	4,7	4,1	3,5				
DL 105 - DLF105	1,1	1,5	14,1	11,6	10,6	9,7	8,9	8,1	7,4	6,7	5,9	5,2			
DL(M) 109	1,1	1,5	18,3	15,4	14,2	13,1	12,0	11,0	10,1	9,2	8,2	7,3	5,4		
DL 125	1,5	2	21,9	19,2	17,9	16,7	15,5	14,4	13,4	12,3	11,3	10,3	8,4	6,5	

These performances are valid for liquids with density $\rho = 1,0 \text{ kg/dm}^3$ and kinematic viscosity $\nu = 1 \text{ mm}^2/\text{s}$.

dl-2p50-en_b_th

3

ELECTRICAL DATA

PUMP TYPE	ABSORBED POWER*	ABSORBED CURRENT*	CAPACITOR
SINGLE-PHASE	kW	220-240 V A	$\mu\text{F} / 450 \text{ V}$
DLM80-DLFM80	0,79	3,91	25
DLM90-DLFM90	0,89	4,27	25
-	-	-	-
DLM109	1,55	6,87	35
-	-	-	-

PUMP TYPE	ABSORBED POWER*	ABSORBED CURRENT*	ABSORBED CURRENT*
THREE-PHASE	kW	220-240 V A	380-415 V A
DL80-DLF80	0,8	-	2,09
DL90-DLF90	0,92	3,81	2,2
DL105-DLF105	1,43	4,66	2,69
DL109	1,54	5,44	3,14
DL125	2,14	6,58	3,8

*Maximum values within operating range.

dl-2p50-en_b_te

Engineered for life



ITT

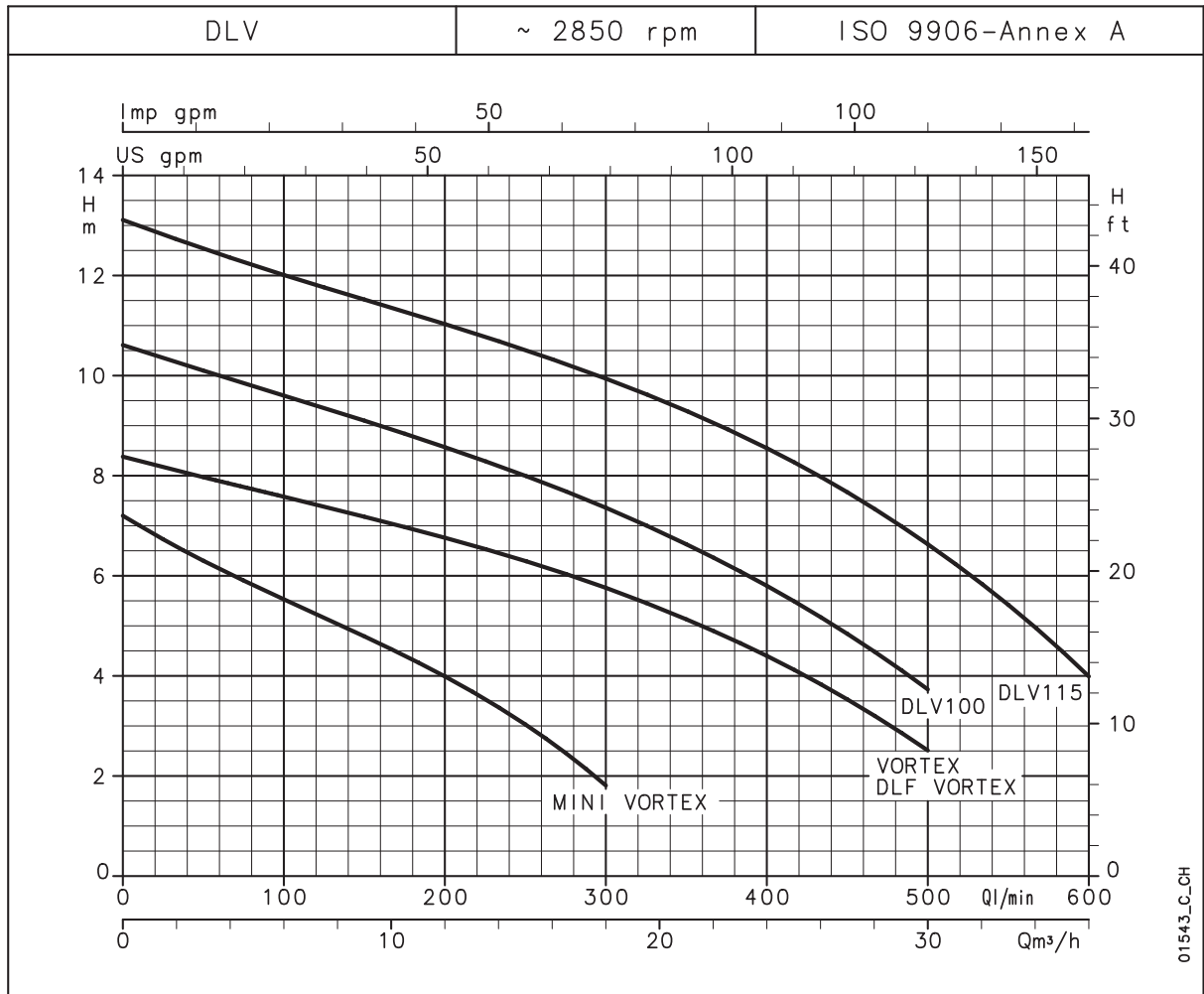


Hoogeindsestraat 5
NL - 5447 PD Rijkevoort
Nederland
T : +31 (0) 485 - 371318
F : +31 (0) 485 - 371918
info@pompestechniek.nl
www.pompestechniek.nl

Lowara

General Catalogue

DLV SERIES
OPERATING CHARACTERISTICS AT 50 Hz, 2 POLES



Engineered for life



ITT



Hoogeindsestraat 5
 NL - 5447 PD Rijkevoort
 Nederland
 T : +31 (0) 485 - 371318
 F : +31 (0) 485 - 371918
 info@pompeentechniek.nl
 www.pompeentechniek.nl

Lowara

General Catalogue

DLV SERIES HYDRAULIC PERFORMANCE TABLE

PUMP TYPE	RATED POWER		Q = DELIVERY												
			l/min	0	50	100	150	200	250	300	350	400	450	500	600
			m ³ /h	0	3	6	9	12	15	18	21	24	27	30	36
	kW	HP	H = TOTAL HEAD METRES COLUMN OF WATER												
MINI VORTEX(M)	0,6	0,8	7,2	6,3	5,5	4,8	4,0	3,0	1,8						
VORTEX-DLF VORTEX	1,1	1,5	8,4	8,0	7,6	7,2	6,8	6,3	5,8	5,1	4,4	3,5	2,5		
DLV(M) 100	1,1	1,5	10,6	10,1	9,6	9,1	8,6	8,0	7,4	6,6	5,8	4,8	3,7		
DLV 115	1,5	2	13,1	12,5	12,0	11,5	11,0	10,5	9,9	9,3	8,5	7,7	6,6	4,0	

These performances are valid for liquids with density $\rho = 1,0 \text{ kg/dm}^3$ and kinematic viscosity $\nu = 1 \text{ mm}^2/\text{s}$.

dlv-2p50-en_b_th



ELECTRICAL DATA

PUMP TYPE	ABSORBED POWER*	ABSORBED CURRENT*	CAPACITOR
SINGLE-PHASE		220-240 V	
	kW	A	$\mu\text{F} / 450 \text{ V}$
MINI VORTEX M	1,05	4,82	25
-	-	-	-
DLVM100	1,64	7,30	35
-	-	-	-

PUMP TYPE	ABSORBED POWER*	ABSORBED CURRENT*	ABSORBED CURRENT*
THREE-PHASE		220-240 V	380-415 V
	kW	A	A
MINI VORTEX	1,10	-	2,36
VORTEX-DLF VORTEX	1,66	5,11	2,95
DLV 100	1,65	5,63	3,25
DLV 115	2,25	6,81	3,93

*Maximum values within operating range.

dlv-2p50-en_b_te

Engineered for life



ITT

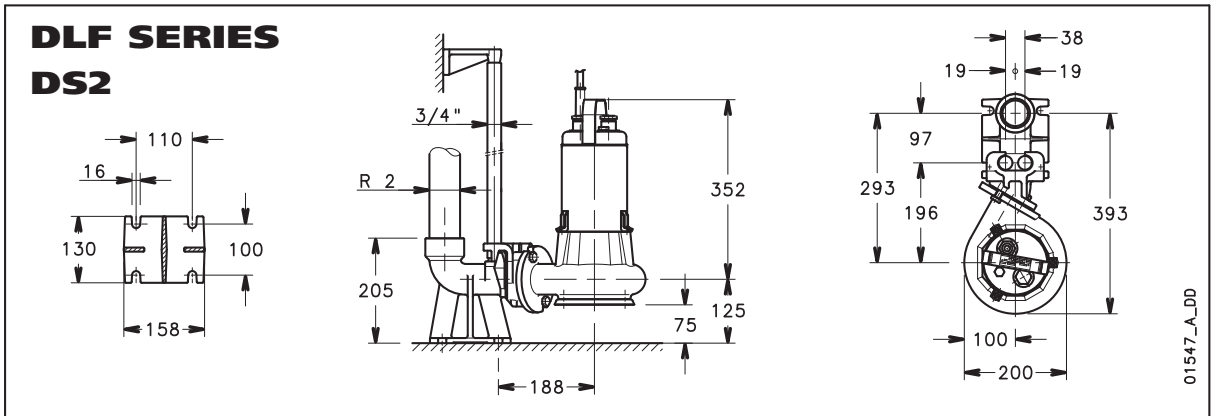
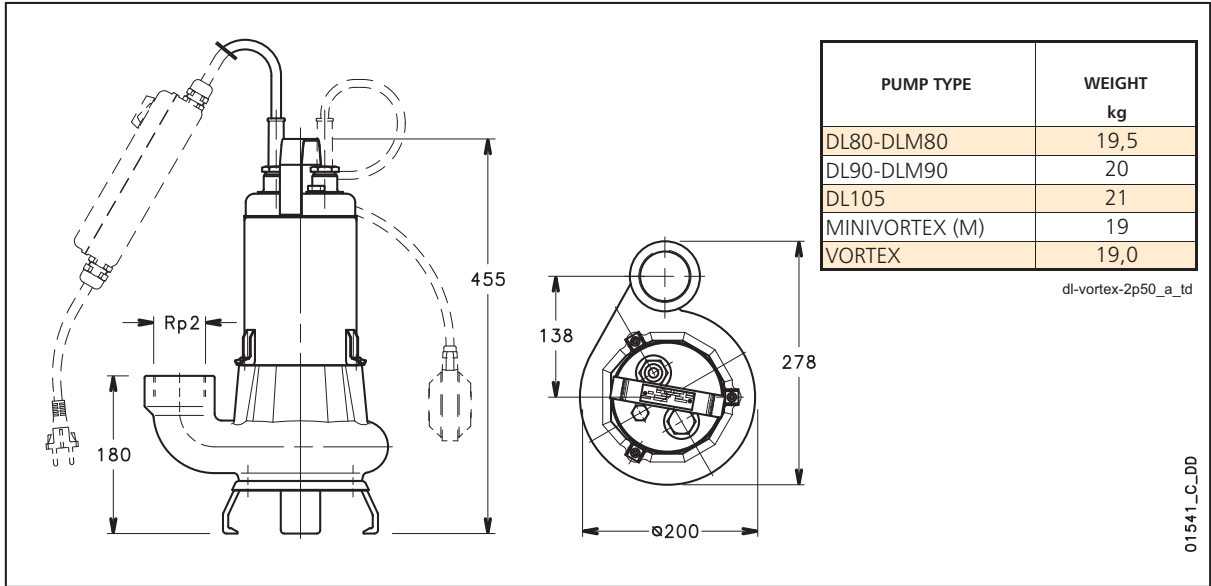


Hoogeindsestraat 5
 NL - 5447 PD Rijkevoort
 Nederland
 T : +31 (0) 485 - 371318
 F : +31 (0) 485 - 371918
 info@pompechniek.nl
 www.pompechniek.nl

Lowara

General Catalogue

DL - VORTEX SERIES DIMENSIONS AND WEIGHTS



Engineered for life



ITT



Hoogeindsestraat 5
 NL - 5447 PD Rijkevoort
 Nederland
 T : +31 (0) 485 - 371318
 F : +31 (0) 485 - 371918
 info@pompechniek.nl
 www.pompechniek.nl

Lowara

General Catalogue

**DL - VORTEX SERIES
 DIMENSIONS AND WEIGHTS**

PUMP TYPE	WEIGHT kg
DL109-DLM109	27
DL125	27
DLV100-DLVM100	27
DLV115	27

dl-dlv-2p50_a_td

01562_C_DD

3

**DLF SERIES
 DS2**

01567_C_DD

Engineered for life